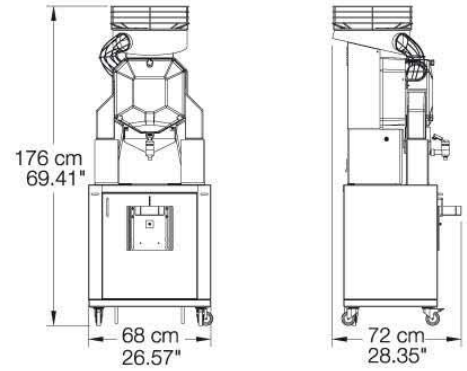


Zumex Speed Self-Service Podium

- Fitted with an **automatic startup/shutdown system** by simply applying pressure on the tap.
- Very simple operation. It can be operated by the attendant of the business or directly by the consumer preparing his/her own fruit juice.
- **Stainless steel fitting with wheels** and a large-capacity waste bucket.
- **Fast and robust.**



Demand for orange juice	Low	Medium	High
Perfect for	Ideal for self-service restaurants of traditional or commercial catering and large supermarkets / hypermarkets.		
Available accessories *	Squeezing Kit D-65; Zumex Displays.		

* see description on page 45



Equipped with Self-Service Tap



TECHNICAL CHARACTERISTICS ZUMEX SPEED SELF-SERVICE PODIUM								
FRUITS PER MINUTE	FEEDER CAPACITY	FRUIT DIAMETER	DIMENSIONS	NET WEIGHT	CONSUMPTION	VOLTAGE	P. ANTIHUMIDITY	SECURITY
38 oranges/min	33 lb 15 kg	Up to 81 mm	69" x 28" x 27" 176 x 72 x 68 cm	229 lb 104 kg	0,3 kw	230-240 V 50-60 Hz / 115 V 60 Hz	IP-X4	Double magnetic safety detector. Electronic motor protection