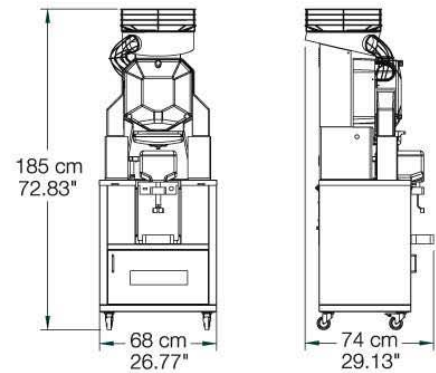


Zumex Speed Cooler Podium

- The best solution to provide cooled freshly-squeezed juice to your clients.
- **Cooler unit** with temperature regulation and a 7 litre tank, with level detector and **anti-drip tap**.
- **Stainless steel podium with wheels** and a large-capacity waste bucket.



Demand for orange juice	Low	Medium	High
Perfect for	Ideal for large hyper and supermarkets with sales attendants.		
Available accessories *	Squeezing Kit D-65; Zumex Displays.		

* see description on page 45



Equipped with 7 l. cooler



TECHNICAL CHARACTERISTICS ZUMEX SPEED COOLER PODIUM								
FRUITS PER MINUTE	FEEDER CAPACITY	FRUIT DIAMETER	DIMENSIONS	NET WEIGHT	CONSUMPTION	VOLTAGE	P. ANTIHUMIDITY	SECURITY
38 oranges/min	33 lb 15 kg	Up to 81 mm	72" x 26" x 29" 185 x 68 x 74cm	252 lb 115 kg	0,6 kw	230-240 V 50-60 Hz / 115 V 60 Hz	IP-X4	Double magnetic safety detector. Electronic motor protection