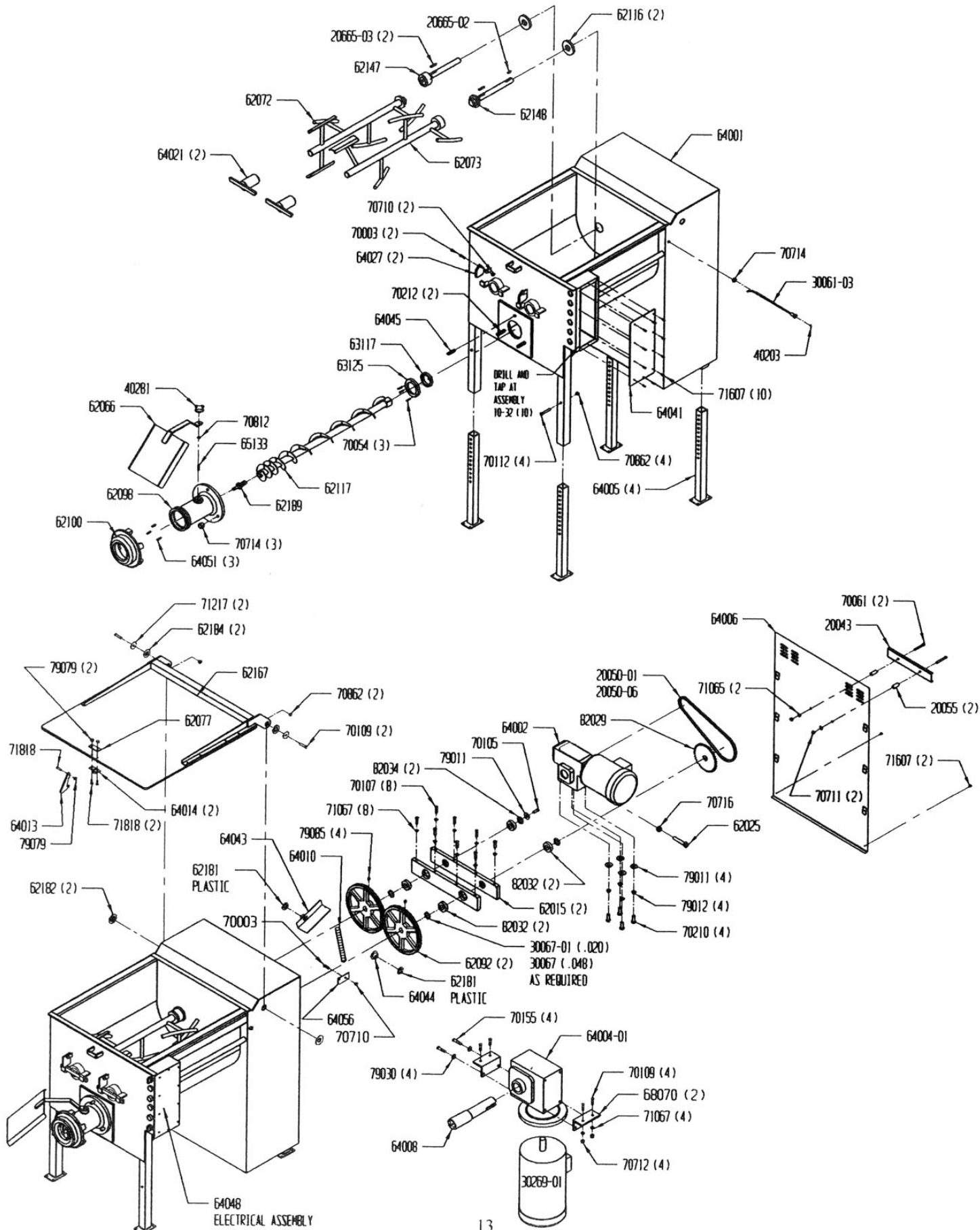


MG 180

PARTS
BREAKDOWN

MG-180 PARTS IDENTIFICATION



PARTS LIST

PART #	DESCRIPTION	QTY	PART #	DESCRIPTION	QTY
20043	HANDLE	1	64044	LID PIVOT XMNT	1
20050-01	CONNECTING LINK	1	64045	1/2-13 X 1-3/4 STUD	1
20050-06	#40 CHAIN 35"	1	64048	ELECTRICAL ASSEMBLY	1
20055	HANDLE SPACER	2	64051	BOWL PIN	3
20665-02	.875 X 1/4 SQ KEYSTOCK	1	64056	SPRING BRACKET	1
20665-03	1/4 KEY 1.5 LONG	2	64063	MG 180 LABEL	2
30061-03	GREASE TUBE	1	65133	3/8 X 1-3/16 READY ROD	1
30067	1-1/2 X .048 SHIM	NA	68070	GEARBOX MOUNT BRACKET	2
30067-01	1-1/2 X .020 SPACER	NA	70003	1/4-20 X 3/4 HCS SS BOLT	3
30269-01	5 HP MOTOR	1	70054	10-32 X 1 SCREW	3
30328	SHIPPING PALLET	1	70061	5/16-18 X 2 HCS SS BOLT	2
40203	1/4-28 STR 17/32 LONG	1	70105	3/8-16 X 1 HCS SS BOLT	1
40281	KNOB	1	70107	3/8-16 X 1-1/4 HCS SS BOLT	8
62015	PADDLE SHAFT BEARING MOUNTS	2	70109	3/8-16 1-1/2 HCS SS BOLT	6
62025	ADJ ROD XMNT	1	70112	3/8-16 X 2-1/4" BOLT SS	4
62043	CASTER BOX ASSEMBLY	1	70155	7/16-14 X 1" SS BOLT	4
62066	SPLASH SHIELD MEAT GUARD	1	70210	13207 1/2-13 X 1-1/4 HCS ZINC	4
62072	MALE PADDLE SHAFT XMNT	1	70212	1/2-13 X 1-3/4" SS BOLT	2
62073	FEMALE PADDLE SHAFT XMNT	1	70710	1/4-20 NC FIN HX NUT SS	3
62077	FASTENER PLATE LATCH MT	1	70711	5/16-18 SS HEXNUT	2
62092	GEAR	2	70712	3/8-16 SS NUT	4
62098	BOWL W/PLATE PINS	1	70714	1/2-13 SS NUT	4
62100	RING	1	70716	5/8-11 SS FHN NUT	1
62116	MIXER DRIVE SHAFT SEAL	2	70812	3/8-16 JAM NUT SS	1
62117	AUGER ASSEMBLY SS	1	70862	3/8 NYLOCK NUT SS	6
62147	RIGHT HAND PADDLE DRIVE SHAFT ASS'Y	1	71063	1/4" LOCK WASHER SS	1
62148	LEFT HAND PADDLE DRIVE SHAFT ASS'Y	1	71065	5/16 LOCK WASHER SS	2
62167	ACRYLIC LID ASSEMBLY	1	71067	3/8" SS LW	12
62181	WASHER LID HINGE	2	71217	3/8 X 1-1/2 SS FENDER WASHER	2
62182	SLEEVE BUSHING	2	71607	10-32 X 3/8 SS PAN HD SS PK	12
62184	3/4" WASHER W/SQUARE HOLE	2	71818	1/4-20 X 3/4" MACHINE SCREW	3
62189	SCREW	1	79008	5/16 X 1-1/2 HEX LAG SCREW ZP	4
63117	SEAL	1	79011	1/2 FLAT WASHER ZP	5
63125	SEAL RETAINER	1	79012	1/2 LW ZINC PLATED	4
64000M	OPERATORS MANUAL	1	79030	7/16" LOCK WASHER SS	4
64001	FRAME/HOPPER XMNT	1	79079	1/4-20 ACORN NUT SS	3
64002	MOTOR / GEARBOX PADDLE ASSEMBLY	1	79085	5/16-18 X 1/2 SET SCREW	4
64004-01	GEARBOX	1	82029	SPROCKET	1
64005	ADJUSTABLE LEG XMNT	4	82032	SEALED BEARING	4
64006	ACCESS COVER XMNT	1	82034	STEEL SHIMS	2
64008	AUGER DRIVE SHAFT	1	90084	DANGER, ELECTRICAL	1
64010	7/8 X 8-1/2 X .105 SPRING	1	90085	WARNING, WITHOUT GUARDS	1
64013	LID LATCH	1	90089	MADE IN USA	2
64014	LID LATCH BRACKET	2	90091	DANGER, HAZARDOUS	1
64021	PADDLE LOCK ASSEMBLY	2	90586	I.D. LABEL	1
64027	LOCK LATCH XMNT	2	90663	SHIPPING BOX	1
64041	ACCESS COVER ELECTRICAL	1	90789	DFE LABEL	1
64043	SPRING ARM XMNT	1	90880	GREASE LABEL	1

ELECTRICAL SCHEMATIC

208/230/460 VOLT, 3 PHASE

