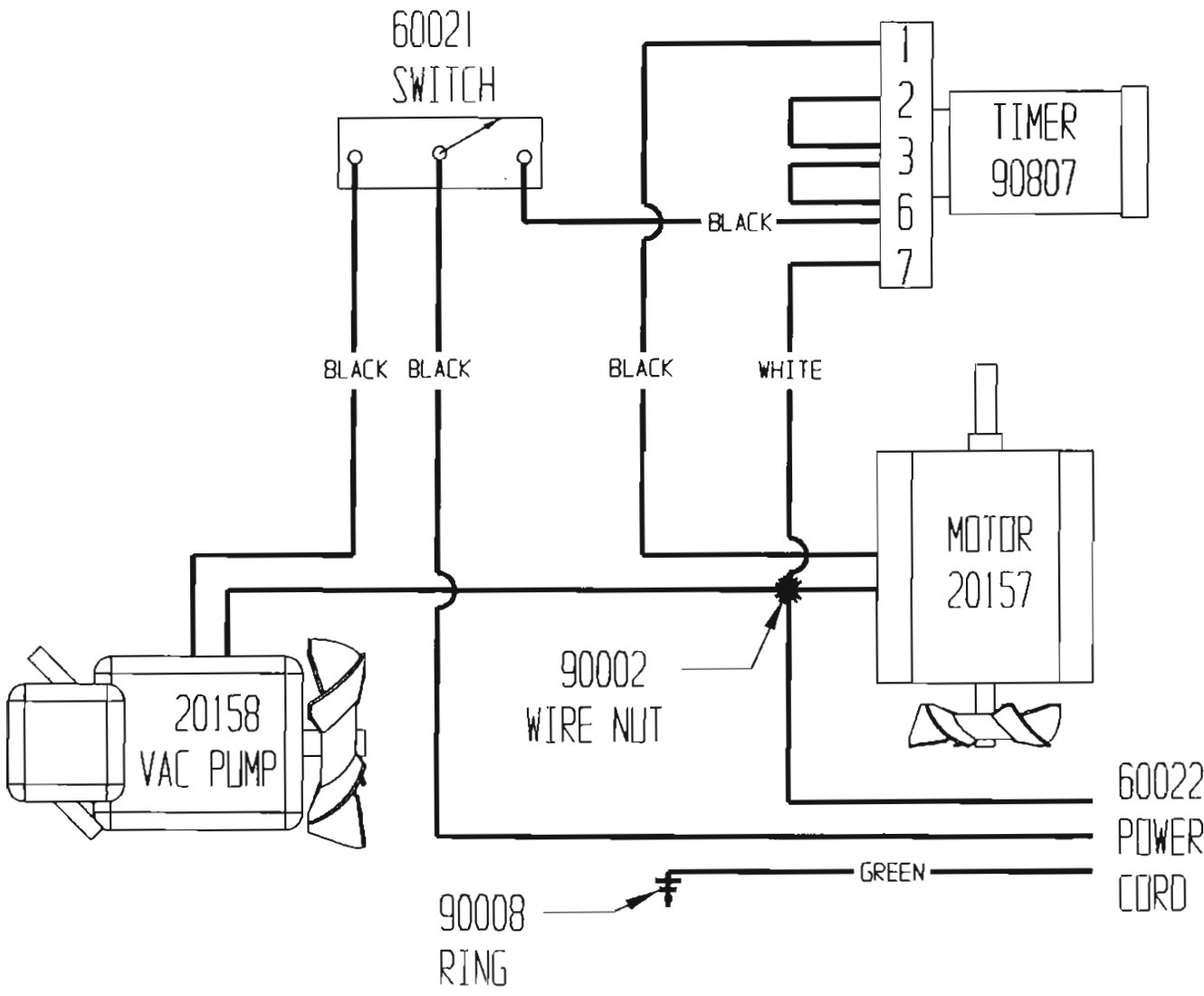
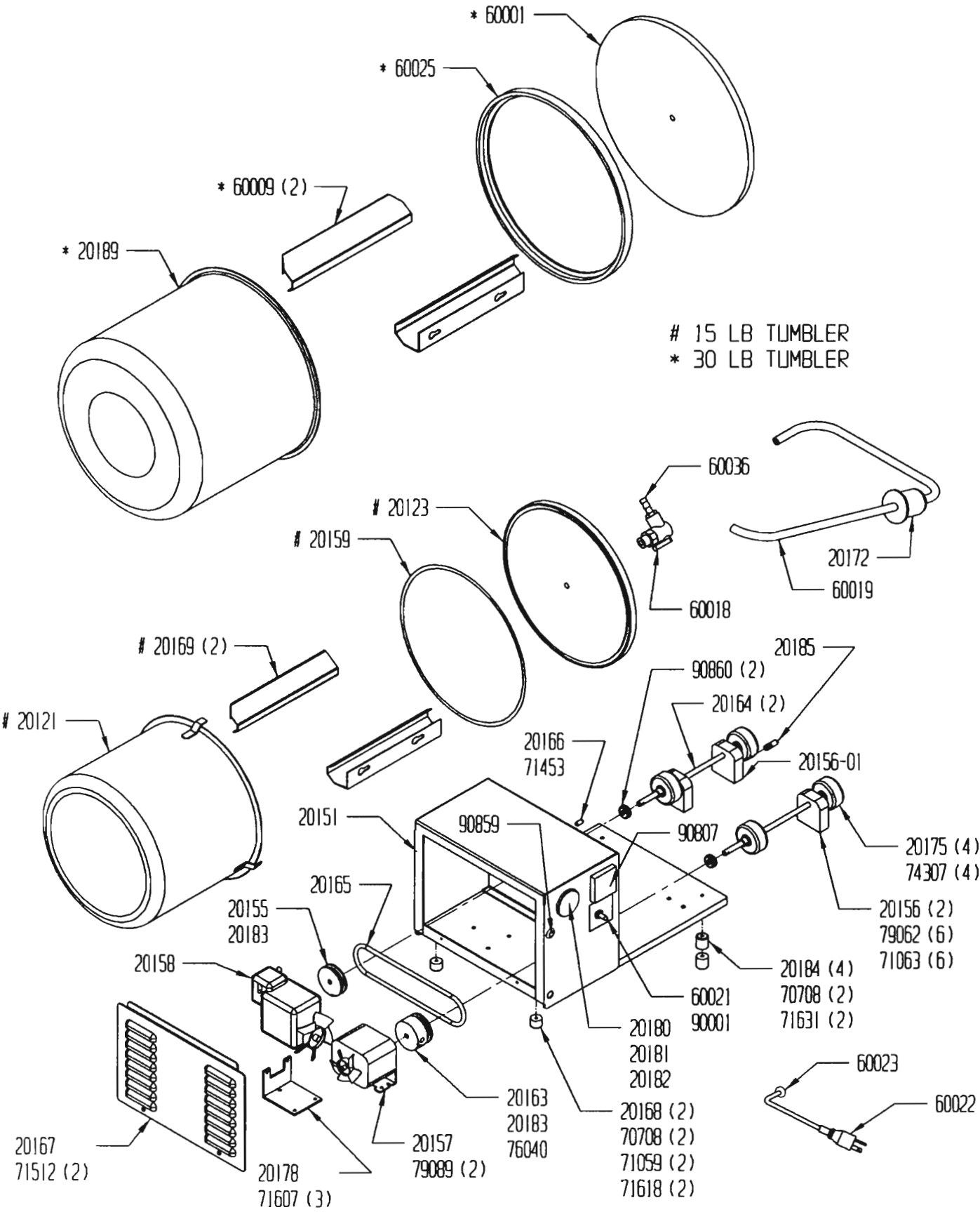


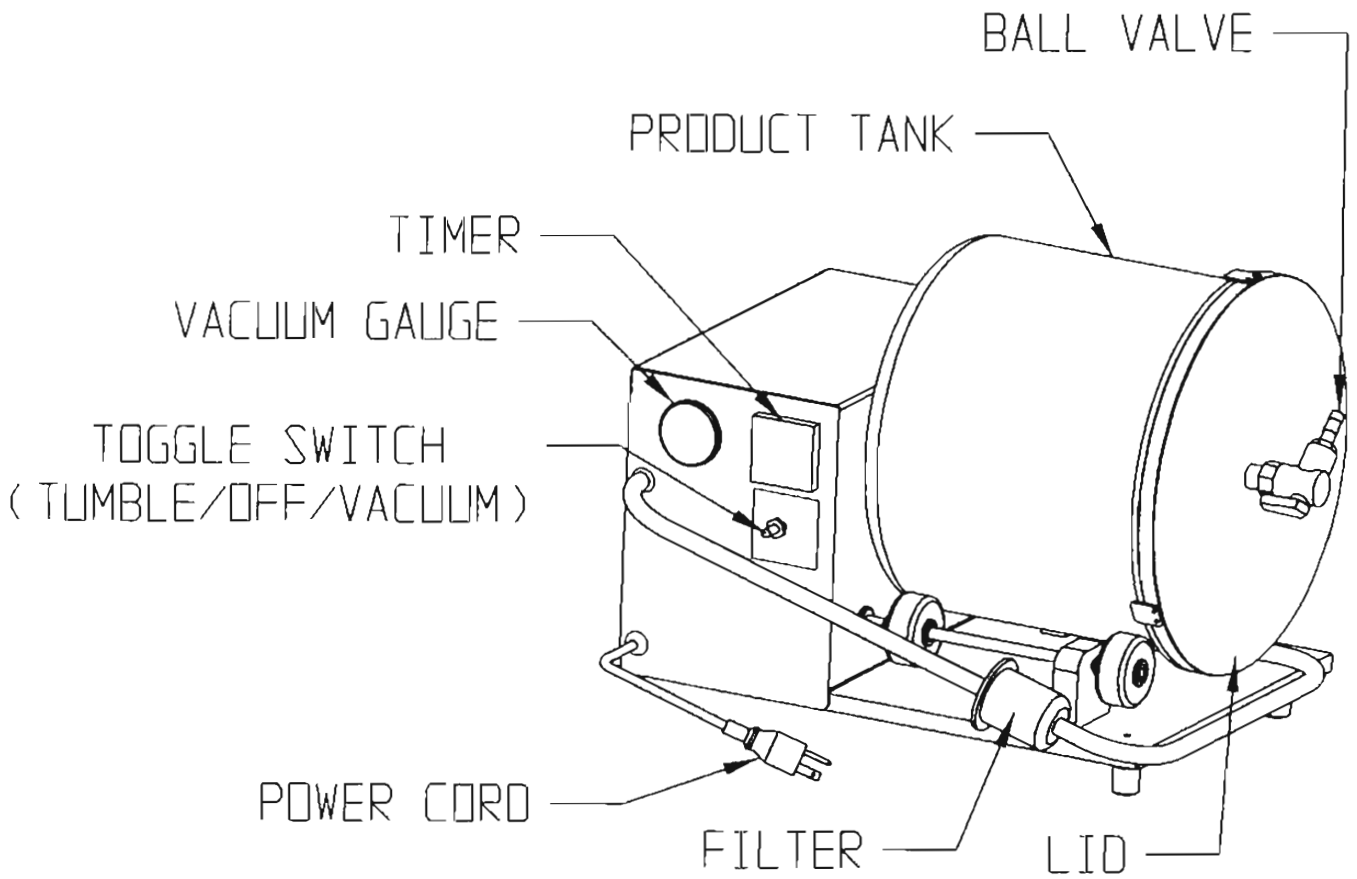
ELECTRICAL SCHEMATIC



PARTS DIAGRAM



PARTS IDENTIFICATION



PARTS LIST

* 30 LB Tumbler
15 LB Tumbler

ITEM #	PART #	DESCRIPTION	QTY
1	20000-15M	OPERATORS MANUAL	1
2	# 20121	TANK XMNT.	1
3	# 20123	CLEAR LID	1
4	20151	HOOD TO FRAME XMNT.	1
5	20155	DRIVEN PULLEY	1
6	20156	BEARING	2
7	20156-01	BEARING W/ HOLE	1
8	20157	GEARMOTOR	1
9	20158	VACUUM PUMP	1
10	# 20159	LID GASKET	1
11	20163	DRIVE COUPLER	1
12	20164	DRIVE SHAFT	2
13	20165	RDIVE BELT	1
14	20166	POTSTOP	1
15	20167	ACCESS COVER	1
16	20168	RUBBER LEG	2
17	# 20169	BAFFLE	2
18	20172	FILTER	1
19	20175	DRIVE WHEEL	4
20	20178	VACUUM PUMP BRACKET	1
21	20180	VACUUM GAUGE	1
22	20181	1/4" TEE	1
23	20182	1/8" NPT X 1/4" BARB	1
24	20183	1/8" PIN	2
25	20184	RUBBER LEG	4
26	20185	HOSE PLUG	1
27	* 20189	30 LB. TANK XMNT	1
28	20639	DECAL, DO NOT PRESSURE WASH	1
29	20762	HOSE CLAMP	2
30	* 60001	30 LB CLEAR LID	1
31	* 60009	TANK BAFFLE	2
32	60018	BALL VALVE	1
33	60019-03	1/4" HOSE	1
34	60019-04	1/4" HOSE	1
35	60019-05	1/4" HOSE	1
36	60021	TOGGLE SWITCH	1
37	60022	CORD WITH PLUG END	1
38	60023	CORD CLAMP	1
39	* 60025	LID GASKET	1
40	60036	1/4" BARB X 1/4" MALE NPT	1
41	70706	8-32 NUT SS	1
42	70708	10-32 NUT SS	4
43	71059	#10 LOCKWASHER	2
44	71063	1/4 SS LOCK WASHER	6
45	71412	8-32 X 3/8" SCREW	2
46	71512	10-24 X 1/2" SCREW	2
47	71607	10-32 X 3/8" SCREW	3
48	71618	10-32 X 3/4" SCREW	2
49	71631	10-32 X 1-1/2" SCREW	2
50	74307	1/8" ROLL PIN	4
51	76040	5/16-18 X 1" SET SCREW	1
52	79062	1/4" X 1" LAG BOLT	6
53	79089	12-24 X 1/2" SCREW	2
54	90001	BOOT, TOGGLE SWITCH	1
55	90002	ORANGE WIRE NUT	1
56	90005	INSULATED SPADE	3
57	90008	RING TERMINAL	1
58	90084	DANGER DECAL, ELECTRICAL	1
59	90085	WARNING DECAL	1
60	90089	DECAL, MADE IN USA	1
61	90586	I.D. LABEL	1
62	90597	TIMER SOCKET	1
63	90789	DFE LOGO	1
64	90807	TIMER	1
65	90859	7/16" GROUMET	1
66	90860	5/16" GROUMET	2
67	90888	SHIPPING BOX	1
68	90938	DECAL: TIMER / OFF / VACUUM	1
69	90939	DECAL: DVTS 15	1
70	90940	DECAL: DVTS 30	1