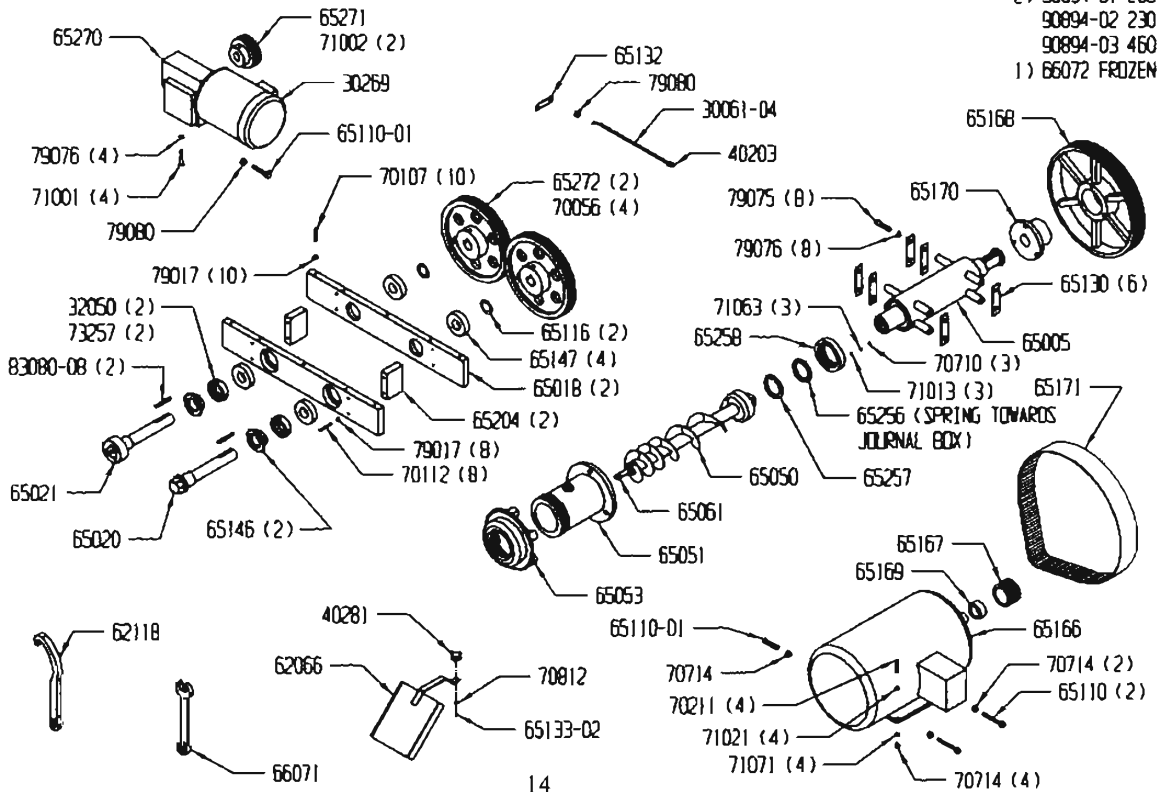
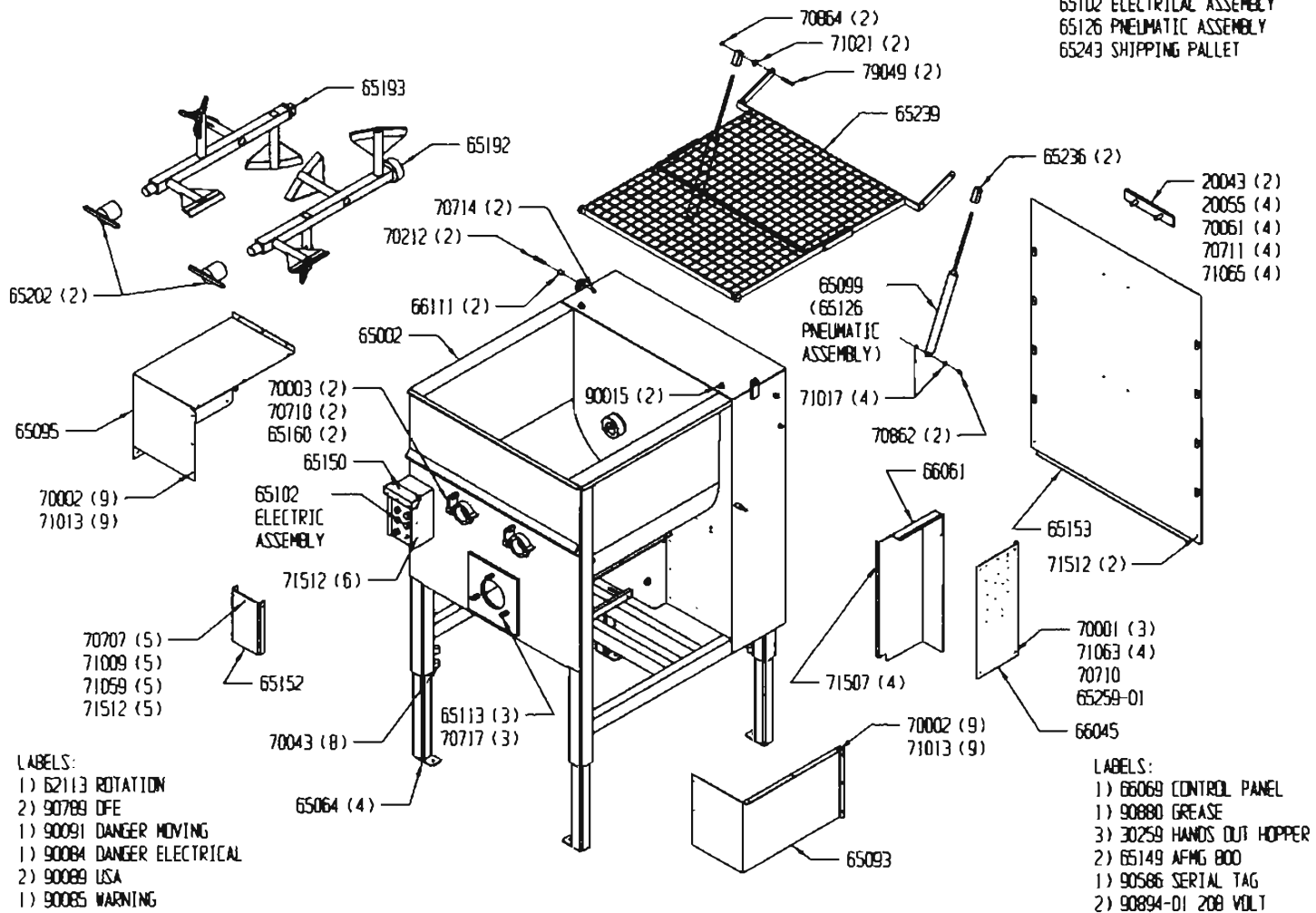


AFMG 800

PARTS BREAKDOWN

PARTS DIAGRAM

65102 ELECTRICAL ASSEMBLY
65126 PNEUMATIC ASSEMBLY
65243 SHIPPING PALLET



PARTS LIST

ITEM #	PART #	DESCRIPTION	QTY		PART #	DESCRIPTION	QTY
1	20043	HANDLE	2	55	65256	AUGER SHAFT SEAL	1
2	20055	HANDLE SPACER	4	56	65257	SEAL GUARD	1
3	30061-04	GREASE TUBE	1	57	65258	AUGER SEAL RETAINER	1
4	30259	HANDS OUT OF HOPPER	3	58	66061	ELECTRICAL COVER	1
5	30269	5HP MOTOR	1	59	66071	1-1/8" WRENCH	1
6	32050	SEAL NUT	2	60	66072	FROZEN MEAT LABEL	1
7	40203	GREASE ZERK	1	61	66111	LID BUSHING	2
8	40281	KNOB	1	62	70001	1/4-20 X 1/2" SS BOLT	3
9	62066	SPLASH GUARD	1	63	70002	1/4 -20 X 5/8" BOLT	18
10	62113	ROTATION LABEL	1	64	70003	1/4-20 X 3/4" SS BOLT	2
11	62118	RING WRENCH	1	65	70043	SET SCREW 3/8 X 1-1/2	8
12	65000M	OWNERS MANUAL	1	66	70056	1/2-13 X 2" SET SCREW	4
13	65002	HOPPER TO FRAME XMNT.	1	67	70061	5/16-18 X 2 BOLT	4
14	65005	JOURNAL BOX ASSEMBLY	1	68	70107	3/8-16 X 1" BOLT	10
15	65018	BEARING BLOCK	2	69	70112	3/8-16 X 2-1/4" BOLT	8
16	65020	MALE DRIVE SHAFT XMNT.	1	70	70211	1/2-13 X 2 BOLT	8
17	65021	FEMALE DRIVE SHAFT	1	71	70212	1/2-13 X 1-3/4" SS BOLT	2
18	65050	AUGER ASSEMBLY	1	72	70707	10-24 NUT	5
19	65051	MIXER/GRINDER BOWL	1	73	70710	1/4-20 SS NUT	4
20	65053	RING	1	74	70711	5/16-18 NUT	4
21	65061	KNIFE DRIVE PIN	1	75	70714	1/2-13 NUT	9
22	65064	ADJUSTABLE LEG XMNT.	4	76	70717	3/4-10 NUT	3
23	65093	MOTOR COVER RIGHT	1	77	70812	3/8-16 JAM NUT	1
24	65095	MOTOR COVER LEFT	1	78	70862	3/8-16 NYLOCK	2
25	65102	ELECTRICAL ASSEMBLY	1	79	70864	1/2-13 NYLOCK	2
26	65110	MOTOR ADJUSTING ROD	2	80	71009	#10 FLAT WASHER	5
27	65110-01	MOTOR ADJUSTING ROD	1	81	71013	1/4" FLAT WASHER	19
28	65113	BOWL MOUNTING STUD	3	82	71017	3/8" SS FLAT WASHER	4
29	65116	WASHER - MODIFIED	2	83	71021	1/2" SS WASHER	6
30	65122	GEAR 70 TOOTH S570	2	84	71059	#10 LOCK WASHER	5
31	65124	GEAR 24 TOOTH S524	1	85	71063	1/4" SS LOCK WASHER	7
32	65126	PNEUMATIC ASSEMBLY	1	86	71065	5/16 LOCK WASHER	4
33	65130	JOURNAL BOX SHIMS	6	87	71071	1/2" SS LOCK WASHER	4
34	65132	GREASE TUBE HOLDER	1	88	71507	10-24 SS MACHINE SCREW	4
35	65133-02	3/8 X 1-3/16 REDI ROD	1	89	71512	10-24 X 1/2 SCREW	13
36	65146	PADDLE SEAL	2	90	73257	1/4-20 SET SCREW	2
37	65147	BEARINGS	4	91	79011	1/2" FLAT WASHER	4
38	65149	AFMG 800 DECAL	2	92	79012	1/2" LOCK WASHER	4
39	65150	CONTROL COVER TOP	1	93	79017	3/8" LOCK WASHER	18
40	65152	CONTROL COVER	1	94	79049	1/2-13 X 2-1/4" SS BOLT	2
41	65153	ACCESS COVER, REAR	1	95	79075	5/8-18 X 2" BOLT	8
42	65160	SAFETY LATCH	2	96	79076	5/8" LOCK WASHER	8
43	65164	ADJUSTING PLATE XMNT	1	97	79080	1/2"-13 ZINC NUT	3
44	65166	20 HP MOTOR	1	98	79084	3/8-1-1/4" SQ. SET SCREW	2
45	65167	SPROCKET 38T	1	99	83023	GEARBOX 930 MDN R	1
46	65168	SPROCKET 192T	1	100	83080-06	KEY 3/8" X 2-1/4"	2
47	65169	BUSHING 1-1/8	1	101	90084	DANGER DECAL, ELEC.	1
48	65170	BUSHING 2	1	102	90085	WARNING DECAL	1
49	65171	BELT	1	103	90089	MADE IN USA DECAL	2
50	65192	FEMALE PADDLE XMNT.	1	104	90091	DANGER DECAL, PARTS	1
51	65193	MALE PADDLE XMNT.	1	105	90586	I.D. DECAL	1
52	65202	PADDLE LOCK ASSEMBLY	2	106	90789	DFE LOGO	2
53	65204	BEARING BLOCK SPACER	2	107	90880	GREASE LABEL	1
54	65239	GRATED METAL LID ASSEMB	1	108	90894-02	230 VOLT LABEL	2
55	65243	SHIPPING PALLET	1				

PNEUMATIC SCHEMATIC

PART #	DESCRIPTION	QTY
90927	AIR CONTROL VALVE	1
65099	AIR CYLINDER	2
65236	AIR CYLINDER END	2
90933	EHAUST FLOW CONT	2
90930	CONTROL VALVE KNOB	1
90500	HOSE 1/4"	20'
90567	TEE	2
90581	1/8" NPT STRAIGHT	2
90928	BULK HEAD	1
90931	AIR VALVE	1
90874	5/32" HOSE	10'
90934	1/8" NPT 90°	4
90877	1/4 TO 5/32 REDUCER	1
90878	5/32 TUBE X 10-32	1
90876	1/4 TUBE X 1/8 NPT	1
90887	1/4 TUBE TO 1/4 NPT	1
90870	1/4 X 3/16 GROMMET	4
71607	10-32 SCREW	2

66067 OPTIONAL AIR COMPRESSOR.
NEED (1) 90352 ON COMPRESSOR OUTLET
AND 55' OF 90874 HOSE.
DON'T NEED 90928 OR 90887

