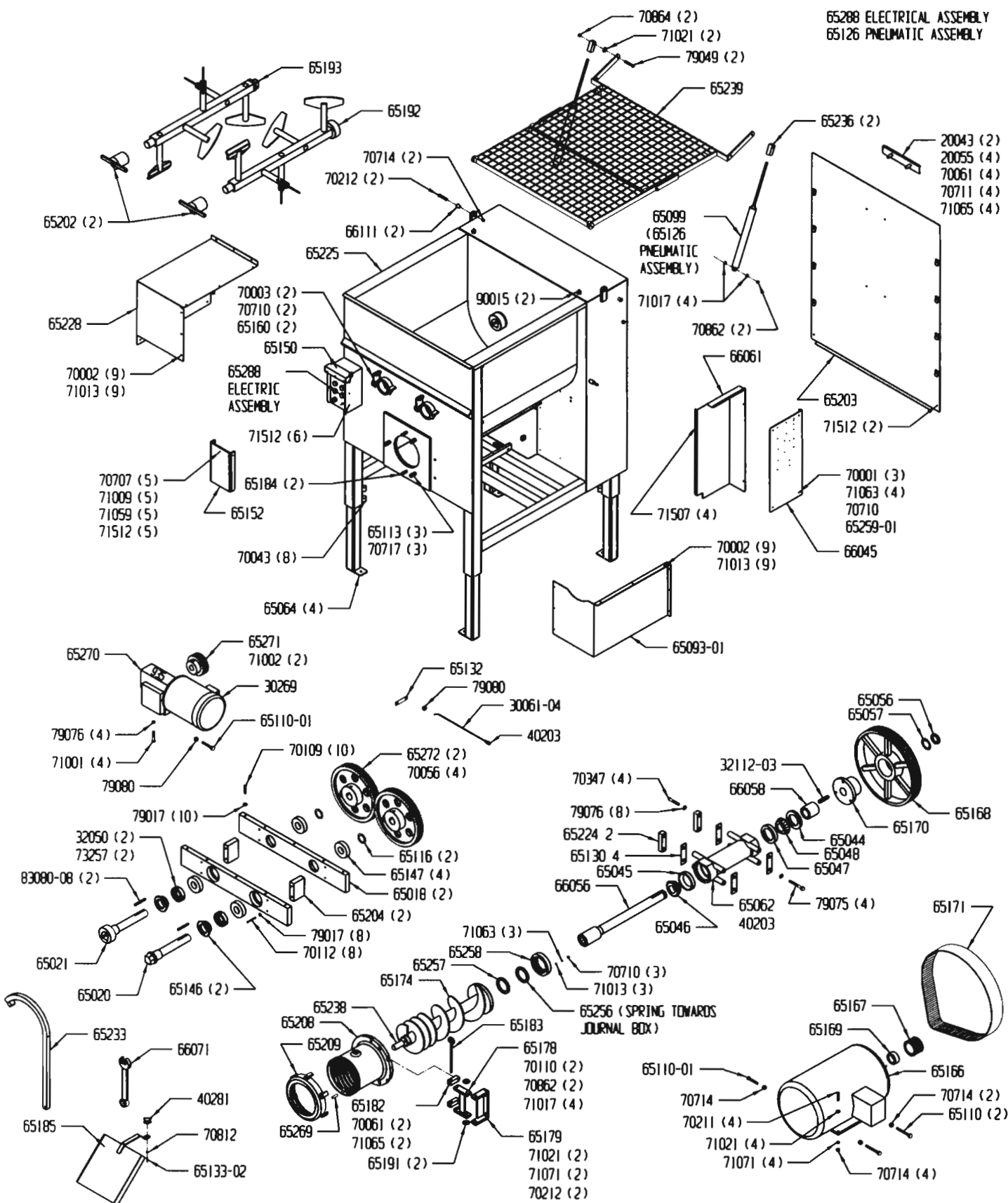


AFMG 800-66

PARTS
BREAKDOWN

PARTS DIAGRAM

65288 ELECTRICAL ASSEMBLY
65126 PNEUMATIC ASSEMBLY



PARTS LIST

ITEM #	PART #	DESCRIPTION	QTY	ITEM #	PART #	DESCRIPTION	QTY
1	20043	HANDLE	2	60	65258	AUGER SEAL RETAINER	1
2	20055	HANDLE SPACER	4	61	65259-01	1/4-20 X 3/4" STUD	1
3	30061-04	GREASE TUBE	1	62	65260	AFMG 800-66 LABEL	2
4	30259	HANDS OUT OF HOPPER	3	63	65269	BOWL PIN	1
5	30269	5HP MOTOR	1	64	65270	935 GEARBOX	1
6	32050	SEAL NUT	2	65	65271	GEAR 24 TOOTH S524	1
7	40203	GREASE ZERK	1	66	65272	GEAR 70 TOOTH S570	2
8	40281	KNOB	1	67	65288	ELECTRICAL ASSEMBLY	1
9	62113	ROTATION LABEL	1	68	66061	ELECTRICAL COVER	1
10	65000-66M	OWNERS MANUAL	1	69	66071	1-1/8" WRENCH	1
11	65005	JOURNAL BOX ASSEMBLY	1	70	66072	FROZEN MEAT LABEL	1
12	65018	BEARING BLOCK	2	71	66111	LID BUSHING	2
13	65020	MALE DRIVE SHAFT XMNT.	1	72	70001	1/4-20 X 1/2" SS BOLT	3
14	65021	FEMALE DRIVE SHAFT	1	73	70002	1/4 -20 X 5/8" BOLT	18
15	65064	ADJUSTABLE LEG XMNT.	4	74	70003	1/4-20 X 3/4" SS BOLT	2
16	65093-01	MOTOR COVER RIGHT	1	75	70043	SET SCREW 3/8 X 1-1/2	8
17	65110	MOTOR ADJUSTING ROD	2	76	70056	1/2-13 X 2" SET SCREW	4
18	65110-01	MOTOR ADJUSTING ROD	2	77	70061	5/16-18 X 2 BOLT	6
19	65113	BOWL MOUNTING STUD	3	78	70109	3/8-16 X 1-1/2" BOLT	10
20	65116	WASHER - MODIFIED	2	79	70110	3/8-16 X 1-3/4"	2
21	65126	PNEUMATIC ASSEMBLY	1	80	70112	3/8-16 X 2-1/4" BOLT	8
22	65130	JOURNAL BOX SHIMS	4	81	70211	1/2-13 X 2 BOLT	4
23	65132	GREASE TUBE HOLDER	1	82	70212	1/2-13 X 1-3/4" SS BOLT	4
24	65133-02	3/8 X 1-3/16 REDI ROD	1	83	70347	5/8-18 X 3-1/2" SS BOLT	4
25	65146	PADDLE SEAL	2	84	70707	10-24 NUT	5
26	65147	BEARINGS	4	85	70710	1/4-20 SS NUT	6
27	65150	CONTROL COVER TOP	1	86	70711	5/16-18 NUT	4
28	65152	CONTROL COVER	1	87	70714	1/2-13 NUT	9
29	65160	SAFETY LATCH	2	88	70717	3/4-10 NUT	3
30	65166	20 HP MOTOR	1	89	70812	3/8-16 JAM NUT	1
31	65167	SPROCKET 38T	1	90	70862	3/8-16 NYLOCK	4
32	65168	SPROCKET 192T	1	91	70864	1/2-13 NYLOCK	2
33	65169	BUSHING 1-1/78	1	92	71001	5/8-11 X 1-1/2" ALLEN BOL	4
34	65170	BUSHING 2	1	93	71002	1/2-13 X 3/4" SET SCREW	2
35	65171	BELT	1	94	71009	#10 FLAT WASHER	5
36	65174	66 AUGER	1	95	71013	1/4" FLAT WASHER	21
37	65178	HINGE, MOVABLE	1	96	71017	3/8" SS FLAT WASHER	8
38	65179	HINGE, STATIONARY	1	97	71021	1/2" SS WASHER	8
39	65182	BOWL HINGE MOUNT	2	98	71059	#10 LOCK WASHER	5
40	65183	HINGE PIN	1	99	71063	1/4" SS LOCK WASHER	7
41	65184	BOWL GUIDE PIN	2	100	71065	5/16 LOCK WASHER	6
42	65185	SPLASH GUARD	1	101	71071	1/2" SS LOCK WASHER	6
43	65191	HINGE BUSHINGS	2	102	71507	10-24 SS MACHINE SCREW	4
44	65192	FEMALE PADDLE XMNT.	1	103	71512	10-24 X 1/2 SCREW	13
45	65193	MALE PADDLE XMNT.	1	104	73257	1/4-20 SET SCREW	2
46	65202	PADDLE LOCK ASSEMBLY	2	105	79017	3/8" LOCK WASHER	18
47	65203	ACCESS COVER, REAR	1	106	79049	1/2-13 X 2-1/4" SS BOLT	2
48	65204	BEARING BLOCK SPACER	2	107	79075	5/8-18 X 2" BOLT	4
49	65208	66 BOWL	1	108	79076	5/8" LOCK WASHER	12
50	65209	66 RING	1	109	79080	1/2"-13 ZINC NUT	2
51	65224	JOURNAL BOX SPACER	2	110	83080-08	KEY 3/8" X 3"	2
52	65225	HOPPER/FRAME XMNT	1	111	90084	DANGER DECAL, ELEC.	1
53	65228	MOTOR COVER LEFT	1	112	90085	WARNING DECAL	1
54	65233	RING WRENCH #66	1	113	90089	MADE IN USA DECAL	2
55	65238	#66 STUD	1	114	90091	DANGER DECAL, PARTS	1
56	65239	GRATED METAL LID ASSEMB	1	115	90586	I.D. DECAL	1
57	65243	SHIPPING PALLET	1	116	90789	DFE LOGO	2
58	65256	AUGER SHAFT SEAL	1	117	90880	GREASE LABEL	1
59	65257	SEAL GUARD	1	118	90894-02	230 VOLT LABEL	2

PNEUMATIC SCHEMATIC

PART #	DESCRIPTION	QTY
90927	AIR CONTROL VALVE	1
65099	AIR CYLINDER	2
65236	AIR CYLINDER END	2
90933	EXHAUST FLOW CONT	2
90930	CONTROL VALVE KNOB	1
90500	HOSE 1/4"	20'
90567	TEE	2
90581	1/8" NPT STRAIGHT	2
90928	BULK HEAD	1
90931	AIR VALVE	1
90874	5/32" HOSE	10'
90934	1/8" NPT 90°	4
90877	1/4 TO 5/32 REDUCER	1
90878	5/32 TUBE X 10-32	1
90876	1/4 TUBE X 1/8 NPT	1
90887	1/4 TUBE TO 1/4 NPT	1
90870	1/4 X 3/16 GROMMET	4
71607	10-32 SCREW	2

66067 OPTIONAL AIR COMPRESSOR.
NEED (1) 90352 ON COMPRESSOR OUTLET
AND 55' OF 90874 HOSE.
DON'T NEED 90928 OR 90887

