

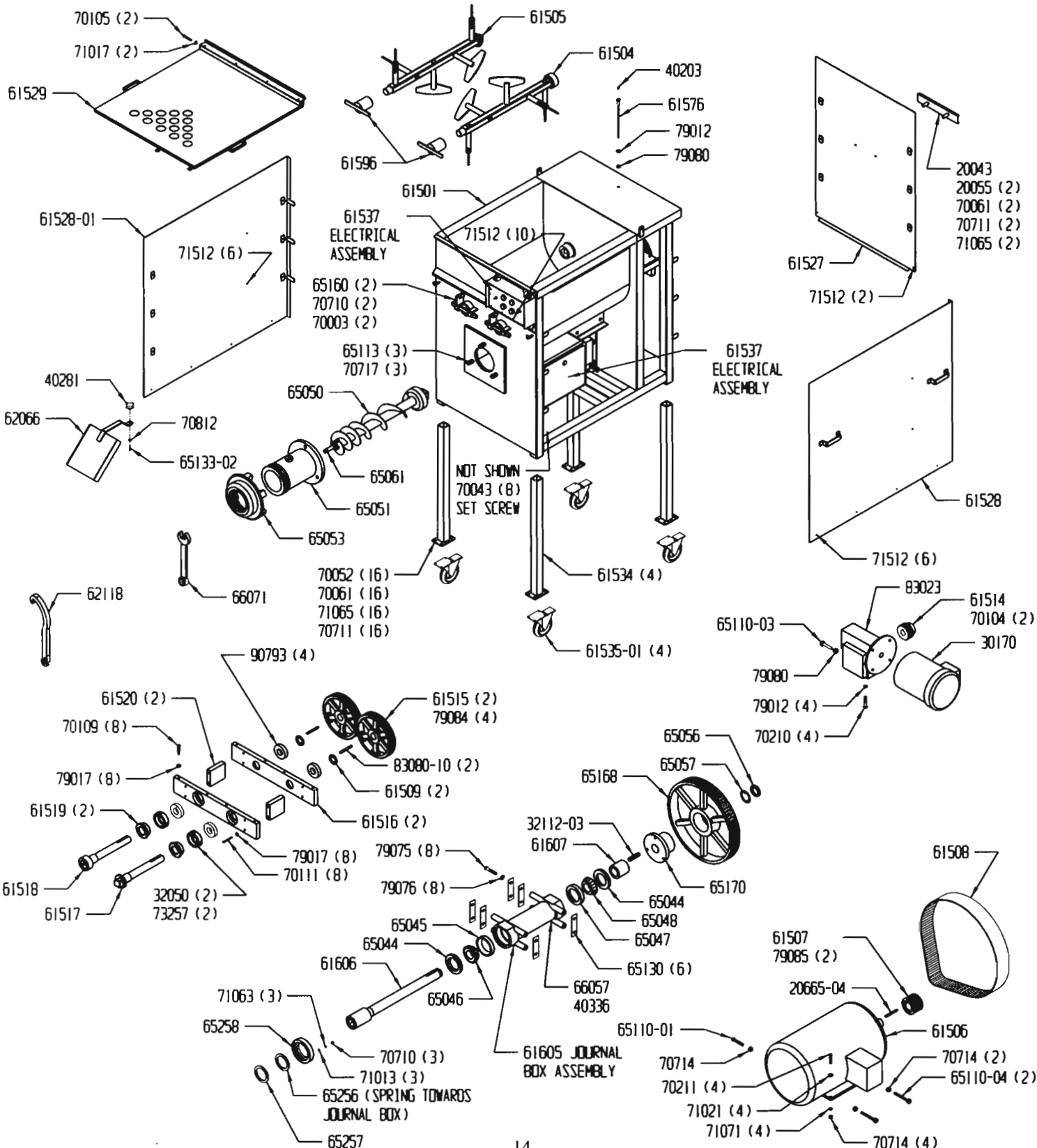
# AFMG 300

## PARTS BREAKDOWN

# PARTS DIAGRAM

PART #	LABEL DESCRIPTION	QTY
62113	ROTATION	1
90789	DFE	2
90091	DANGER MOVING	1
90084	DANGER ELECTRICAL	1
90089	USA	2
90065	WARNING	1

PART #	LABEL DESCRIPTION	QTY
90880	GREASE	1
30259	HANDS OUT OF HOPPER	3
61533	AFMG 300	2
90586	SERIAL TAG	1
90894-XX	VOLTAGE AND PHASE	1
66072	FROZEN MEAT	1

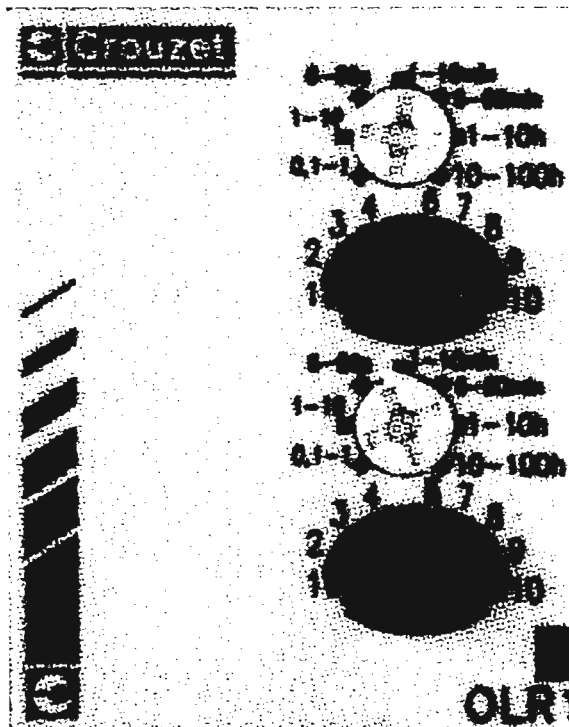


# PARTS LIST

ITEM #	PART #	DESCRIPTION	QTY	ITEM #	PART #	DESCRIPTION	QTY
1	20043	HANDLE	1	51	65160	SAFETY LATCH	2
2	20055	HANDLE SPACER	2	52	65168	SPROCKET 192T	1
3	20665-04	1/4" SQ X 3" KEY	1	53	65170	BUSHING 2"	1
4	30170	3HP MOTOR	1	54	65256	AUGER DRIVE SHAFT SEAL	1
5	30259	DECAL HANDS OUT HOPPER	3	55	65257	SEAL GUARD	1
6	32050	SEAL NUT	2	56	65258	SEAL RETAINER	1
7	40203	GREASE ZERK	1	57	66071	1-1/8" WRENCH	1
8	40281	KNOB	1	58	66072	LABEL FROZEN PROD	1
9	61500M	OWNERS MANUAL	1	59	70003	1/4-20 X 3/4" SS BOLT	2
10	61501	HOPPER TO FRAME XMNT	1	60	70043	SET SCREW 3/8 X 1-1/2	8
11	61504	FEMALE PADDLE	1	61	70052	5/16-18 X 5/8" SS BOLT	16
12	61505	MALE PADDLE	1	62	70061	5/16-18 X 2 BOLT	18
13	61506	15 HP MOTOR	1	63	70104	3/8-16 X 1/2" SET SCREW	2
14	61507	SPROCKET 24T	1	64	70105	3/8-16 X 1" SS BOLT	2
15	61508	BELT	1	65	70109	3/8-16 X 1-1/2" SS BOLT	8
16	61509	SHIM	2	66	70111	3/8-16 X 2" SS BOLT	8
17	61514	28 TOOTH GEAR	1	67	70210	1/2-13 X 1-1/4" ZINC BOLT	4
18	61515	80 TOOTH GEAR	2	68	70211	1/2-13 X 2 BOLT	4
19	61516	BEARING BLOCK	2	69	70710	1/4-20 SS NUT	5
20	61517	MALE DRIVE SHAFT XMNT.	1	70	70711	5/16-18 NUT	18
21	61518	FEMALE DRIVE SHAFT	1	71	70714	1/2-13 NUT	7
22	61519	PADDLE SEAL	2	72	70717	3/4-10 NUT	3
23	61520	BEARING BLOCK SPACER	2	73	70812	3/8-16 JAM NUT	1
24	61527	REAR ACCESS COVER	1	74	71013	1/4" FLAT WASHER	3
25	61528	RIGHT ACCESS COVER XMNT	1	75	71017	3/8" FLAT WASHER SS	2
26	61528-01	LEFT ACCESS COVER XMNT	1	76	71021	1/2" FLAT WASHER SS	4
27	61529	METAL LID ASSEMBLY	1	77	71063	1/4" LOCK WASHER SS	3
28	*61530	TUBE LID (OPTIONAL)		78	71065	5/16 LOCK WASHER	18
29	*61531	ACRYLIC LID (OPTIONAL)		79	71071	1/2" SS LOCK WASHER	4
30	61533	AFMG 300 DECAL	2	80	71512	10-24 X 1/2 SCREW	24
31	61534	ADJUSTABLE LEG	4	81	73257	1/4-20 SET SCREW	2
32	61535-01	5" X 1-1/2" CASTER	4	82	79012	1/2" ZINC LOCK WASHER	5
33	61536	SHIPPING PALLET	1	83	79017	3/8" LOCK WASHER	16
34	61537	ELECTRICAL ASSEMBLY	1	84	79075	5/8-18 X 2" BOLT	8
35	61576	GREASE TUBE	1	85	79076	5/8" LOCK WASHER	8
36	61596	PADDLE LOCK ASSEMBLY	2	86	79080	1/2-13 ZINC NUT	2
37	61605	JOURNAL BOX ASSEMBLY	1	87	79084	3/8 X 1-1/4" SQ SET SCREW	4
38	62066	SPLASH GUARD	1	88	79085	5/16-18 X 1/2" SET SCREW	2
39	62113	ROTATION LABEL	1	89	83023	930 GEAR BOX	1
40	62118	RING WRENCH	1	90	83080-10	KEY	2
41	65050-01	AUGER ASSEMBLY	1	91	90084	DANGER DECAL, ELECT	1
42	65051	GRINDER BOWL	1	92	90085	WARNING DECAL	1
43	65053	RING	1	93	90089	MADE IN USA DECAL	2
44	65061	KNIFE DRIVE PIN	1	94	90091	DANGER DECAL, PARTS	1
45	65110-01	MOTOR ADJUSTING BOLT	1	95	90586	I.D. DECAL	1
46	65110-03	ADJUSTING BOLT	1	96	90663	SHIPPING BOX	1
47	65110-04	MOTOR ADJUSTING BOLT	2	97	90789	DFE LOGO	2
48	65113	BOWL MOUNTING STUD	3	98	90793	BEARINGS	4
49	65130	JOURNAL BOX SHIMS	6	99	90880	DECAL GREASE	1
50	65133-02	3/8 X 1-3/16 REDI ROD	1	100	90894-02	DECAL 230 VOLT	1

# TO ADJUST INTERMITTENT TIMER

1. Disconnect mixer grinder from power source and or perform lockout/tagout procedures.
2. Remove rear access cover.
3. Remove electrical cover.
4. Locate the Crouzet timer on the electrical panel. The top two dials are for the **on** time, the bottom two dials are for the **off** time. When adjusting either on or off time always adjust the white dial first. Turn it to the desired time range example: 6-60s means it will cycle anywhere from 6 seconds to 60 seconds.
5. Adjust the blue dial. The blue dial fine tunes the white dial, example: the white dial is on 6-60s and the blue dial is on 1, the timer will cycle every 6 seconds, on 5 the timer will cycle every 30 seconds, etc...
6. Install electrical cover.
7. Install rear access cover.



# ELECTRICAL SCHEMATIC

