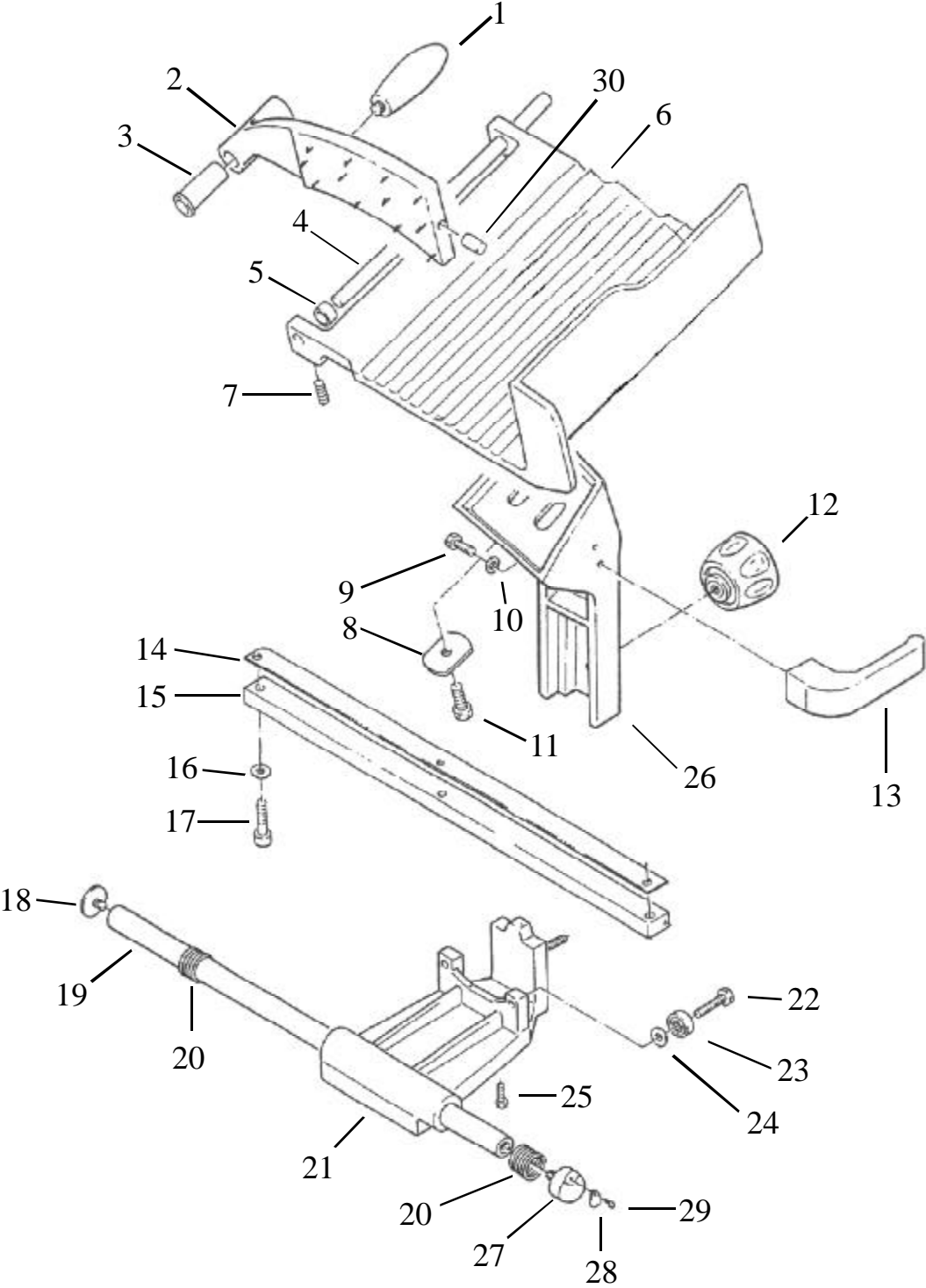
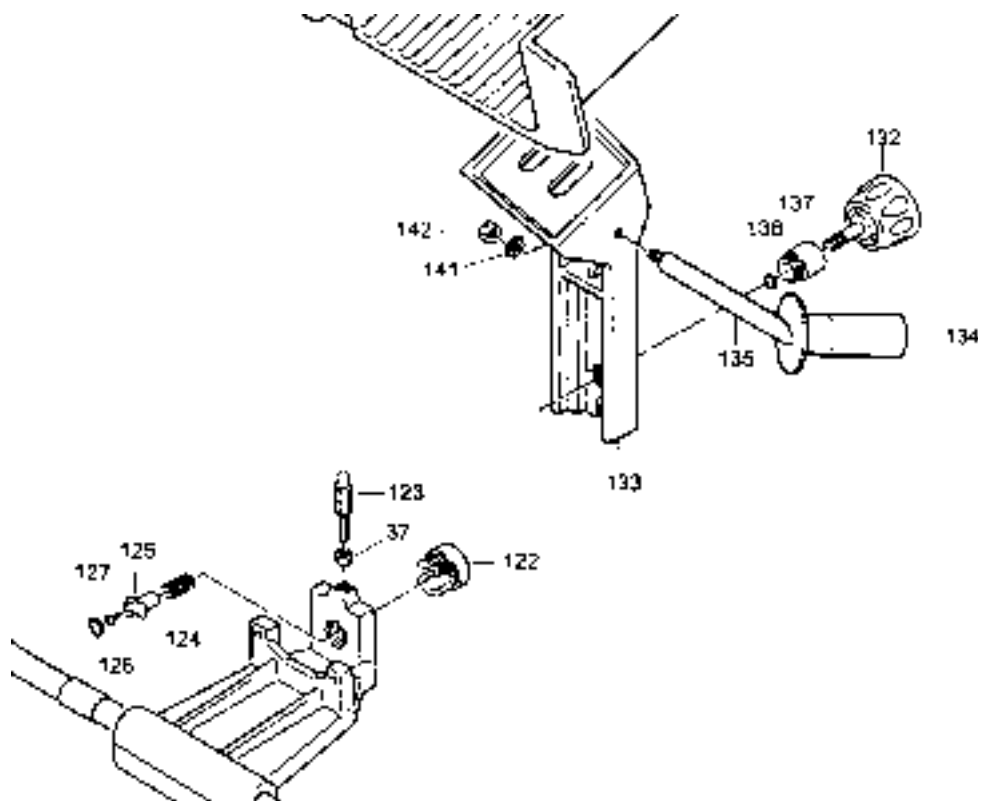


829A MEAT TABLE AND CARRIAGE ASSEMBLY



GAUGE PLATE INTERLOCK COMPONENTS



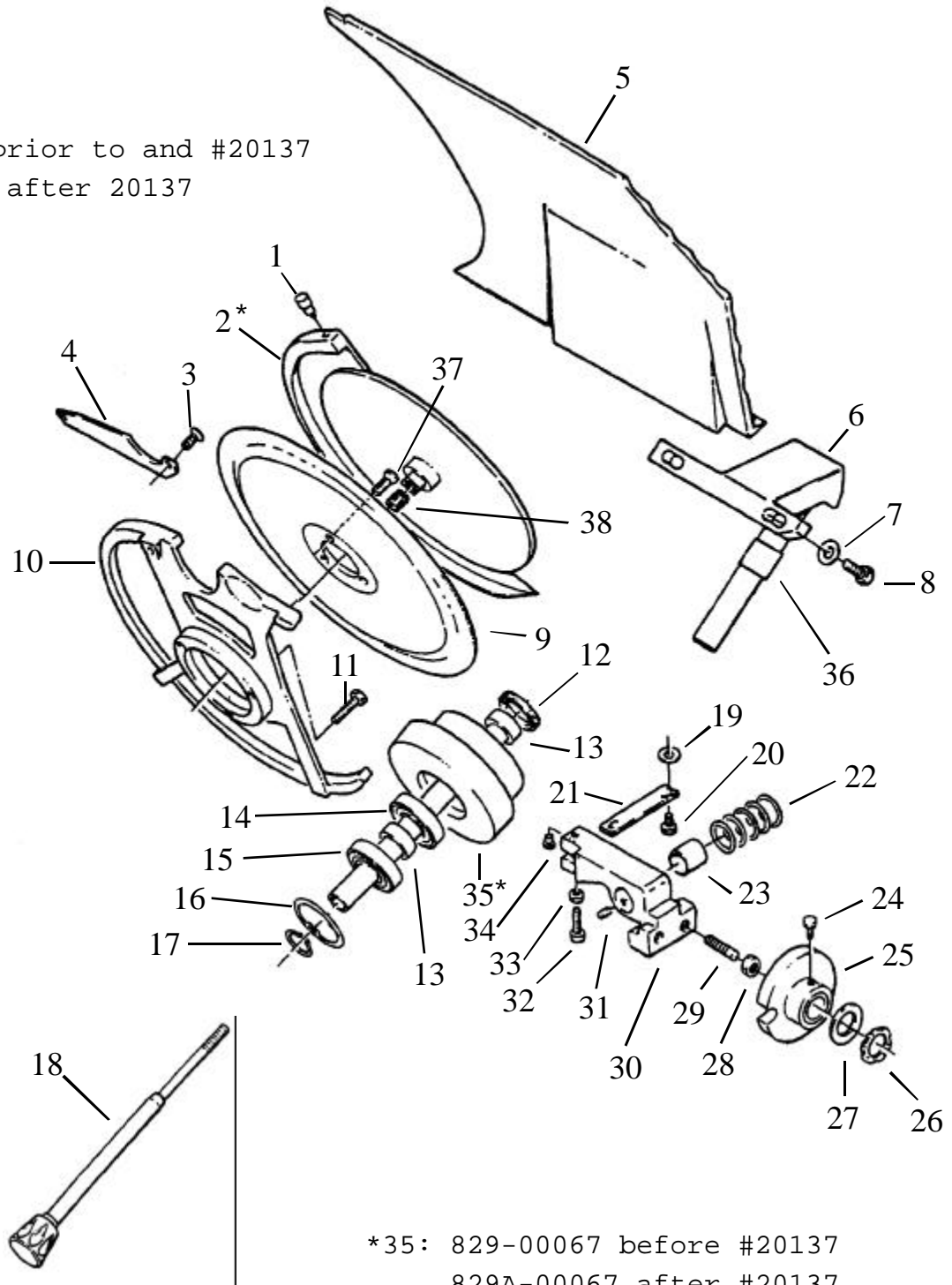
Item	Description	Part Number
37	Nut	827-00033
122	Bushing	829A-00602
123	Stand Off	829A-00603
124	Spring	829A-00604
125	Bushing	829A-00605
126	Nylon Screw	829A-00606
127	Circlip	829A-00600
132	Knob	829A-00607
134	Handle	829A-00608
135	Extension	829A-00609
137	Bushing	829A-00610
138	Circlip	829A-00601
141	Washer	829A-00611
142	Nut	CU-00008

829A MEAT TABLE AND CARRIAGE ASSEMBLY

Item	Description	Part Number
1	Handle, Pusher	827-00080
2	Pusher, Complete	829-00009
3	Bushing	827-00079-N
4	Pusher Slide Rod	829-00084
5	Rubber Spacer	829-00083
6	Product Table	829-00008
7	Grub Screw	827-00086
8	Plate	827-00131
9	Screw	827-00089
10	Washer	2101-08515
11	Screw	825-00122
12	Knob, Carriage	827A-00040
13	Handle, Carriage	827A-00037-A
14	Plate	829-00092
15	Square Rail	829-00014
16	Washer	3301-03812
17	Screw	827-00021
18	Screw	829-00050
19	Round Rail	829-00013
20	Spring, Long	829-00020
21	Carriage Assembly Complete	829-00012
22	Bolt	829-00017
23	Bearing	827-00015
24	Flat Washer	827-00016
25	Nylon Screw	827-00129
26	Product Table Support	829-00007
27	Oil Screw	829-00099
28	Oil Plate	827-00097
29	Rivet	827-00096
30	Nylon Plug	829-00082

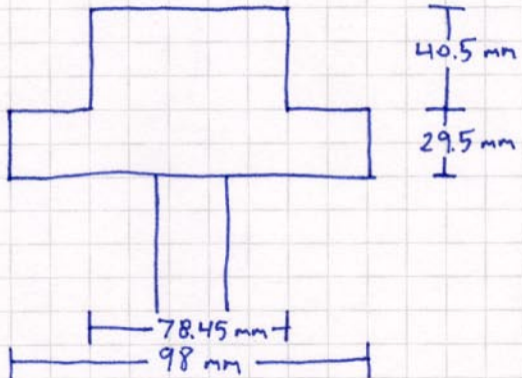
829A KNIFE AND GAUGE PLATE ASSEMBLY

*2 829-00002 prior to and #20137
829A-00002 after 20137

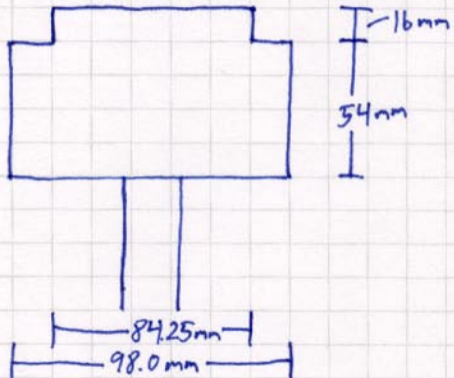


*35: 829-00067 before #20137
829A-00067 after #20137

OLD STYLE



NEW STYLE



829A KNIFE AND GAUGE PLATE ASSEMBLY

Item	Description	Part Number
1	Center Plate Pin	829-00038
2*	Center Plate	829-00002
3	Screw, Upper Guard	829-00400
4	Upper Guard	829-00258
5	Gauge Plate	829-00003
6	Gauge Plate Support	829-00004
7	Washer	3301-03812
8	Screw	825-00005
9	Knife	829-00073
10	Ring Guard	829-00257
11	Screw	829-00087
12	Rubber Ring	827-00209
13	Bearing Spacer	827-00070
14	Bearing	2375-00103
15	Bearing	2375-00103
16	Circlip	825-00071
17	Circlip	825-00072
18	Center Plate Knob	829-00075
19	Washer	823-00114
20	Screw	827-00032
21	Plate	827-0026
22	Spring	829-00024
23	Bushing	827-00219
24	Screw	825-00021
25	Cam	829-00025
26	Spring Washer	825-00095
27	Washer	829-00401
28	Nut	827-00033
29	Cam Pin	827-00027
30	Support	829-00022
31	Set Screw	827-00031
32	Screw	827-00028
33	Nut	827-00029
34	Nylon Pin	825-00030
35*	Knife Bearing Complete	829-00067
36	Bushing	827-00219
37	Screw	827-00074
38	Insert	827-00135

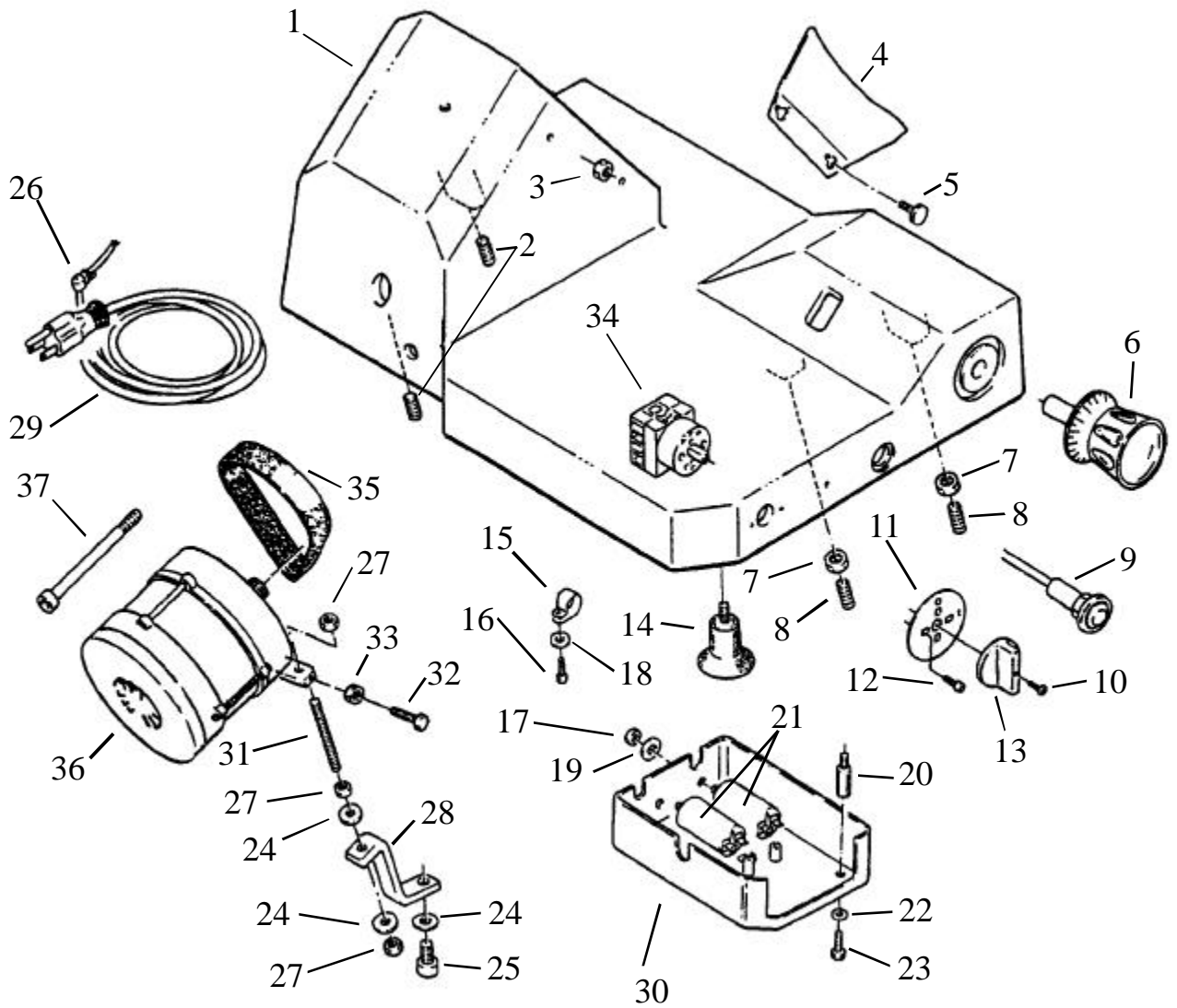
*2 829-00002 prior to and #20137

829A-00002 after 20137

*35: 829-00067 before #20137

829A-00067 after #20137

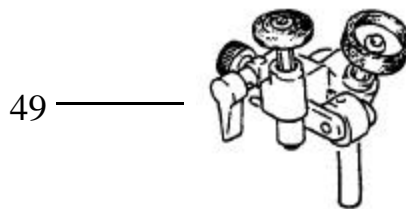
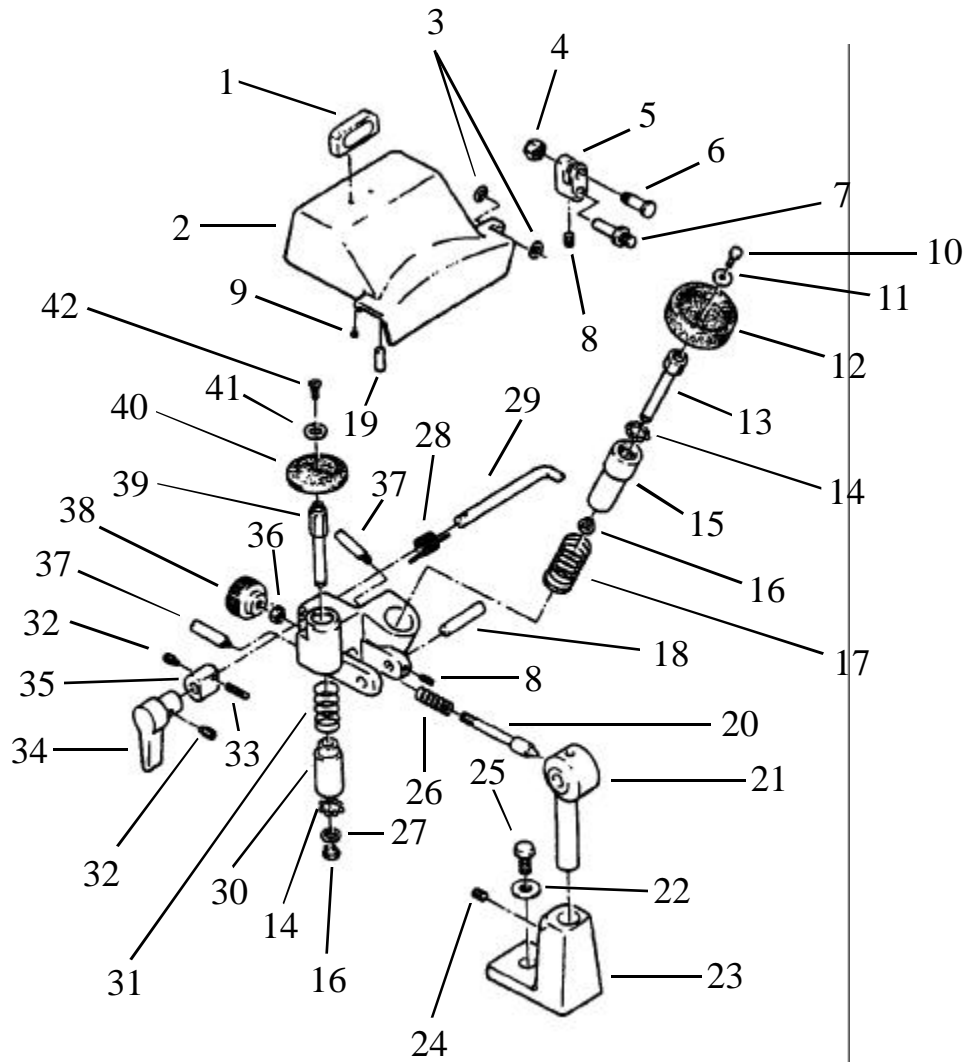
829A HOUSING AND ELECTRICAL



829A HOUSING AND ELECTRICAL

Item	Description	Part Number
1	Housing	N/A
2	Grub Screw	827-00086
3	Nut, Slice Deflector	827-00146
4	Slice Deflector	829-00011
5	Screw, Slice Deflector	827A-00091
6	Index Knob	829-00035
7	Nut	827-00146
8	Grub Screw	827-00086
9	Pilot Light	825-00041
10	Screw	827A-00400
11	Plate, Switch	827A-00039-B02
12	Screw	827A-00401
13	Knob, Switch	827A-00036-02
14	Rubber Foot	827-00093
15	Cord Clamp	3675-00224
16	Screw	825-00087
17	Nut, Capacitor	2101-07041
18	Washer	825-00006
19	Washer	829-00402
20	Spacer	829-00128
21	Capacitor	829-00042
22	Washer	825-00006
23	Screw	825-00021
24	Washer	2275-03071
25	Screw	827-00058
26	Cord Clamp	827-00127
27	Nut	2101-07041
28	Plate, Motor	829-00055
29	Power Cord	4175-00031
30	Cover	825-00405
31	Threaded Rod	829-00053
32	Screw	827-00062
33	Nut	827-00029
34	Switch, Complete	827A-00039-02
35	Ribbed Belt	829-00066
36	Motor	829-00048
37	Tie Rod, Motor	829-00060

829A AND 839A SHARPENER ASSEMBLY



829A AND 839A SHARPENER ASSEMBLY

Item	Description	Part Number
1	Flag	I2062RED
2	Cover, Sharpener	829-00010
3	Washer	829-00403
4	Nut	827-00033
5	Joint, Sharpener	829-00404
6	Screw	829-00405
7	Pin, Threaded	829-00406
8	Set Screw	829-00407
9	Screw	825-00032
10	Screw	825-00021
11	Washer	825-00006
12	Stone, Sharpening	829-00408
13	Spindle	829-00109
14	Ball	829-00110
15	Bearing Housing	829-00111
16	Circlip	829-00112
17	Spring	829-00113
18	Pin, Knurled	829-00114
19	Spacer, Plastic	829-00115
20	Pin	829-00116
21	Joint Support	829-00117
22	Washer	2275-03071
23	Support, Sharpener	829-00118
24	Set Screw	829-00119
25	Screw	825-00122
26	Spring	829-00120
27	Washer	829-00121
28	Circlip	829-00112
29	Lever, Sharpener	829-00122
30	Bearing Housing	829-00123
31	Spring	829-00124
32	Set Screw	829-00125
33	Pin, Roll	829-00126
34	Handle, Sharpener	829-00127
35	Bushing	829-00129
36	Nut	827-00146
37	Pin	829-00130
38	Knob	829-00131
39	Spindle	829-00132
40	Stone, Deburring	829-00409
41	Washer	829-00133
42	Screw	827-00074
49	Sharpener w/o cover	829-00135

WIRING DIAGRAM 829A

